

BT-RDOFM - size- A/B/C/D

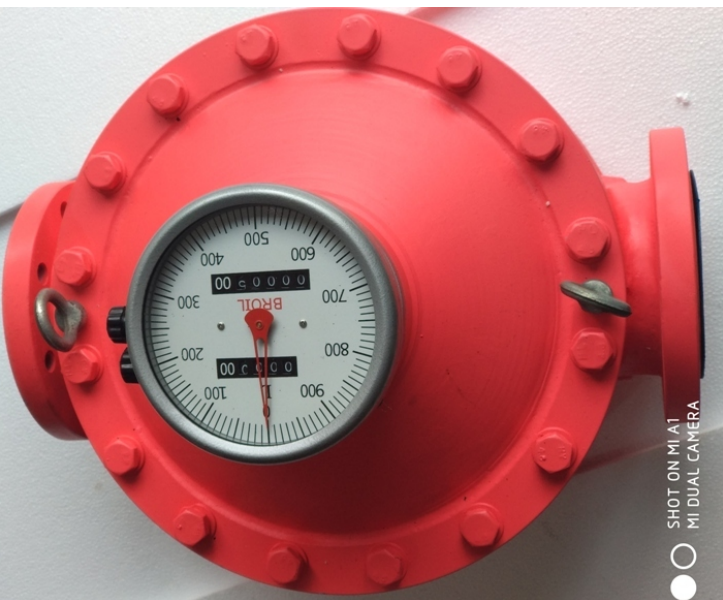
Mechanical Oil Flow Meter (Positive Displacement Flow Meter)

Cumulative & Resettable
Batch total + Pulse/4-20mA
Output

only cumulative total,
+ Pulse/ 4-20mA Output

only cumulative total,
No Resettable Batch total

Both Cumulative total,
& Resettable Batch total



Mechanical Oil Flow Meter (Positive Displacement Flow Meter)

Broil Sensotek industries, producer cast steel , cast iron, stainless steel and cast aluminum oval gear mechanical Oil PD flow meter,
Mechanical dial flow meter has variety of counter as per customer requirement

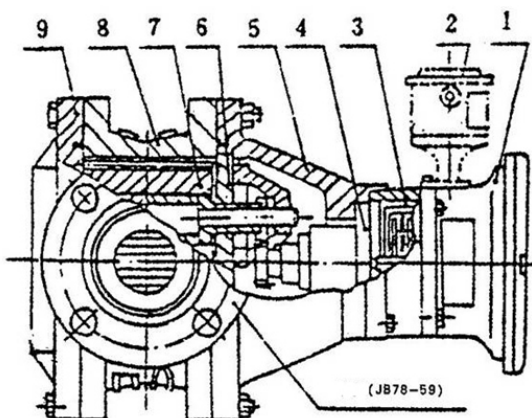
- * only cumulative total, no resettable total
- * cumulative total + resettable total
- * cumulative total + pulse output/4 to 20 mA output
- * cumulative total + resettable total + pulse output/4 to 20 mA output

PD Flow meter Produced as per application :

- * cast iron oval gear flow meter is widely used in the metering of various oil products and liquids having no corrosion to the cast iron material.
- * cast steel oval gear flow meter is used for high-pressure, low-corrosion liquid media.
- * cast Aluminum oval gear flow meter is widely used in the metering of low-viscosity low-corrosion (such as gasoline) liquid media and its rotor is made of Aluminum Alloy.
- * stainless steel oval gear flow meter are widely used in the metering of liquid media with high corrosion, such as acid, alkali, salt and organic compound, and some other liquid, like: milk, alcohol, chemical and pharmaceutical drug etc.

Future:

- * Accuracy class: Class 0.5, Class 0.2;
- * Medium temperature: $-20^{\circ}\text{C} \sim 100^{\circ}\text{C}$, added with high-temperature radiating cylinder, the temperature can reach $100^{\circ}\text{C} - 280^{\circ}\text{C}$;
- * Anti-explosion class of remote display site: EXIAIICT5, DIIBT4.
- * optional output : 4 TO 20mA, Pulse, RS 485,



- 1.Counter
- 2.Signal output
- 3.Precision regulator
(Dn50 and above only)
- 4.Sealing the coupling
- 5.Front cover
- 6.Flat
- 7.Oval gear
- 8.Shell
- 9.Rear cover



Mechanical Oil Flow Meter (Positive Displacement Flow Meter)

General Technical data:

CE certified product

Working principle: oval gear positive displacement

Accuracy : **0.5% / 0.2 %fsd**

Repeatability: 0.03%

Maximum working pressure: 2 Mpa / 6.4 MPa

Fluid & Ambient temperature: -40 to 100°C,

Extender up to 280 deg C (OPTIONAL)

Viscosity : 1000 cps maximum

Material of construction:

Rotor and casing : cast iron / cast steel
/ stainless steel / aluminium

O-ring : NBR/VITON/SILICON

Shaft : Stainless Steel

Process connection: standard flange

Flow range: as on below model no wise table

line size : 15 mm,	flow range : 0.15 to 1.5 m ³ /h
line size : 20 mm,	flow range : 0.3 to 3.0 m ³ /h
line size : 25 mm,	flow range : 1 to 6 m ³ /h
line size : 40 mm,	flow range : 1.5 to 15 m ³ /h
line size : 50 mm,	flow range : 2.4 to 24 m ³ /h
line size : 80 mm,	flow range : 8 to 80 m ³ /h
line size : 100 mm,	flow range : 10 to 100 m ³ /h
line size : 150 mm,	flow range : 19 to 190 m ³ /h
line size : 200 mm,	flow range : 34 to 340 m ³ /h

